

EPSILON

"Ultimate efficiency and glare control"



LOW GLARE (LP)
157 llm/cW

SATIN (S)
161 llm/cW

Mounting



Specification



SmartScan Configurations



Find out more at www.thorlux.com/smartsan

LED Characteristics

CRI	80+
COLOUR TEMPERATURE	4000K
RATED LIFE (HOURS)	100K-L80/B10
PROTECTION	LUX GUARD
DRIVER EFFICIENCY	91%
REPLACEABLE	YES
POWER FACTOR	>0.9

LL/CW **161**

For LED characteristics explanation see www.solite-europe.com/led-guide

Front access luminaire designed for modular 'T' and cut aperture ceilings in clean and sterile environments. IP65 (front) / IP54 (rear) ensures the ceiling integrity is maintained at all times, even when the cover is removed.

Applications

- Clean and sterile environments up to FS209E class 1000, ISO 14644 class 6
- Pharmaceutical production
- Pharmacies
- Hospitals
- Laboratories
- Electronics manufacturing
- Semiconductor manufacturing
- Food preparation manufacturing

Construction

- Zinc plated steel body
- Chamfered 55mm aluminium diffuser frame, with welded and linished corners
- Polyester powder coated body and frame
- Polycarbonate fire-retardant diffuser, TP(a)
- White EPDM closed cell gaskets

Finish

- RAL9016

Features

- Fixed output, 4000K, CRI80 as standard
- Conforms to FS209E class 1000, ISO14644 class 6 standard
- IP65 (front) / IP54 (rear)
- LUX Guard, LED protection
- Removable LED platform for improved sustainability and longer life cycle

Standard Options

- Through access hatch Add suffix '+AH'
- Deglaring lens: variant, providing <UGR19 suffixed "LP" on part code
- Toughened glass front panel: For applications where corrosive cleaning agents may be applied. Glass is supplied in addition to the satin polycarbonate panel. Replace 'S' suffix with 'TGS' for Satin and toughened glass
- For the lensed variant replace 'LP' with 'LG' for deglaring lens with glass, glass is supplied as a replacement to the polycarbonate

Options Available On Request

- Special RAL colour
- Anti-bacterial paint
- 3000K or 6500K LED light engine
- CRI90 LED light engine
- Stainless steel frame

Controls Options

- DALI or SmartScan

Emergency Options, 3 hour integral

- Standard, Self-test, DALI or SmartScan

Range

WATTAGE*	CAT. NO.	NOMINAL SIZE	CUT APERTURE	LUMENS	LL/CW*	APPROX. kg
26W	EPS2240L4S	600mm x 600mm	575 mm x 575 mm	4061	157	11.0
33W	EPS2253L4S			5330	160	
42W	EPS2266L4S			6689	161	
50W	EPS2277L4S			7778	157	
53W	EPS2282L4S			8273	156	
64W	EPS2299L4S			9991	157	
90W	EPS22137L4S*			13708	153	
26W	EPS2240L4LP			4009	155	
32W	EPS2250L4LP			5071	157	
39W	EPS2260L4LP			6007	156	
40W	EPS2262L4LP			6252	156	
51W	EPS2278L4LP			7823	155	
57W	EPS2289L4LP			8947	156	
65W	EPS2299L4LP			9979	153	
73W	EPS22111L4LP*			11162	154	
79W	EPS22119L4LP*			11929	151	

CONTROLS OPTIONS - suffix catalogue number with:

DALI-DIM - DALI dimmable / **SSCAN** - SmartScan e.g. **EPS2240L4S+DALI-DIM**

EMERGENCY OPTIONS - suffix catalogue number with:

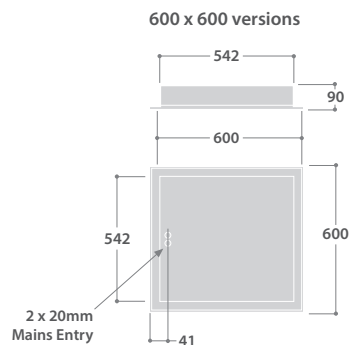
EM - Standard 3 hour integral / **EM-ST** - Emergency Self-test 3 hour integral / **DALI-EM** - DALI 3 hour integral / **SSCAN-EM** - SmartScan 3 hour integral e.g. **EPS2240L4S+EM**

*All iterations of integral emergency not available in this luminaire variant.

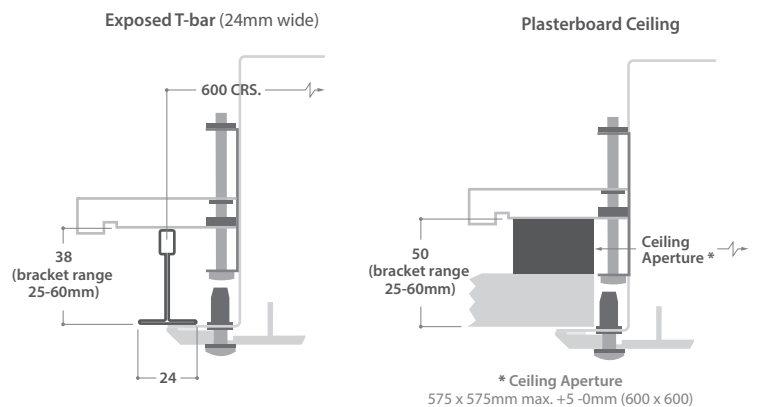
*Figures rounded to the nearest whole number.

Dimensions

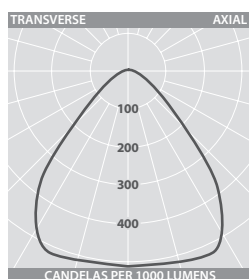
For modular 'T' and cut aperture ceilings



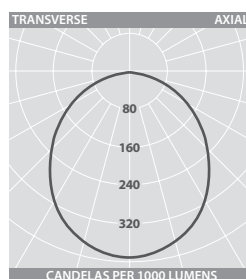
Mounting Arrangement



Photometric Guide



LOW GLARE
Luminaire Lumen Output



SATIN
Luminaire Lumen Output